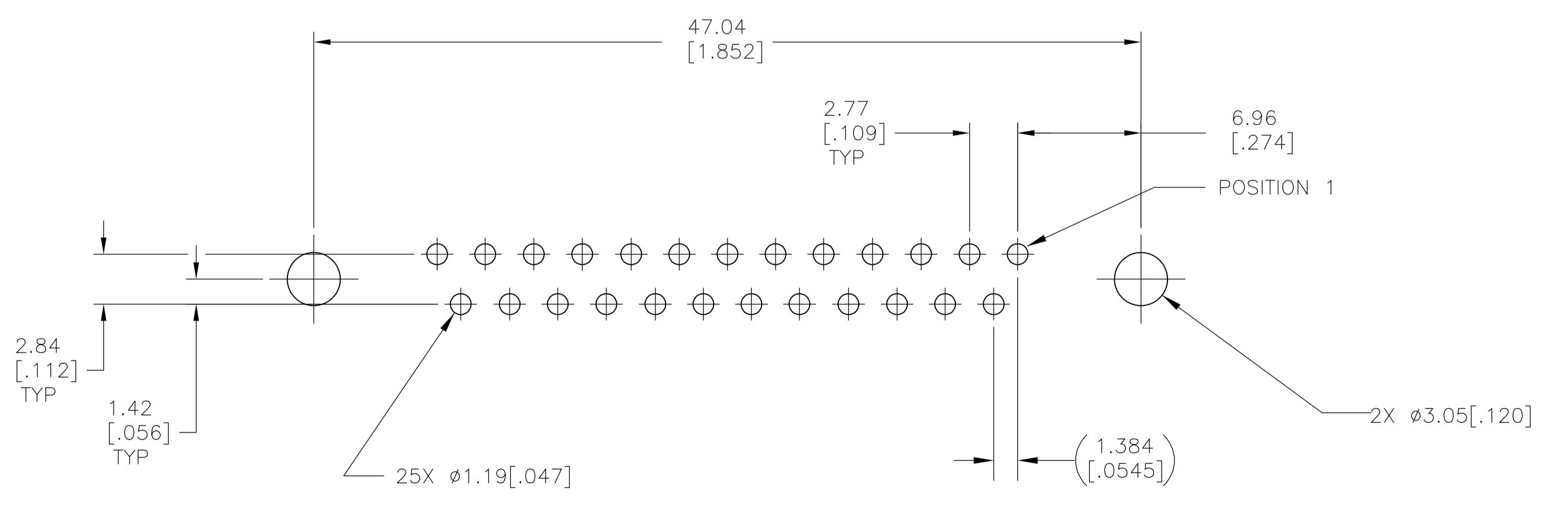
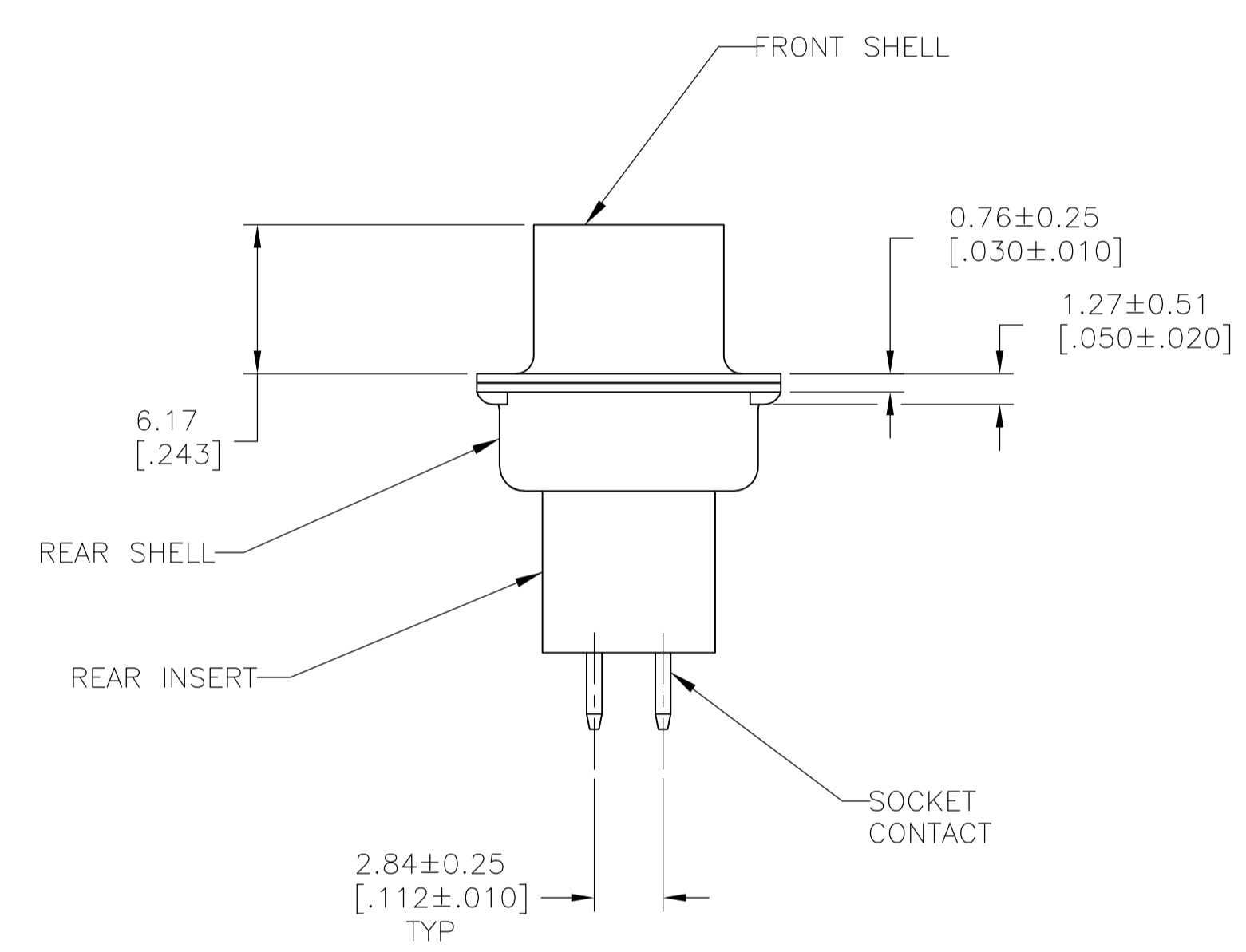
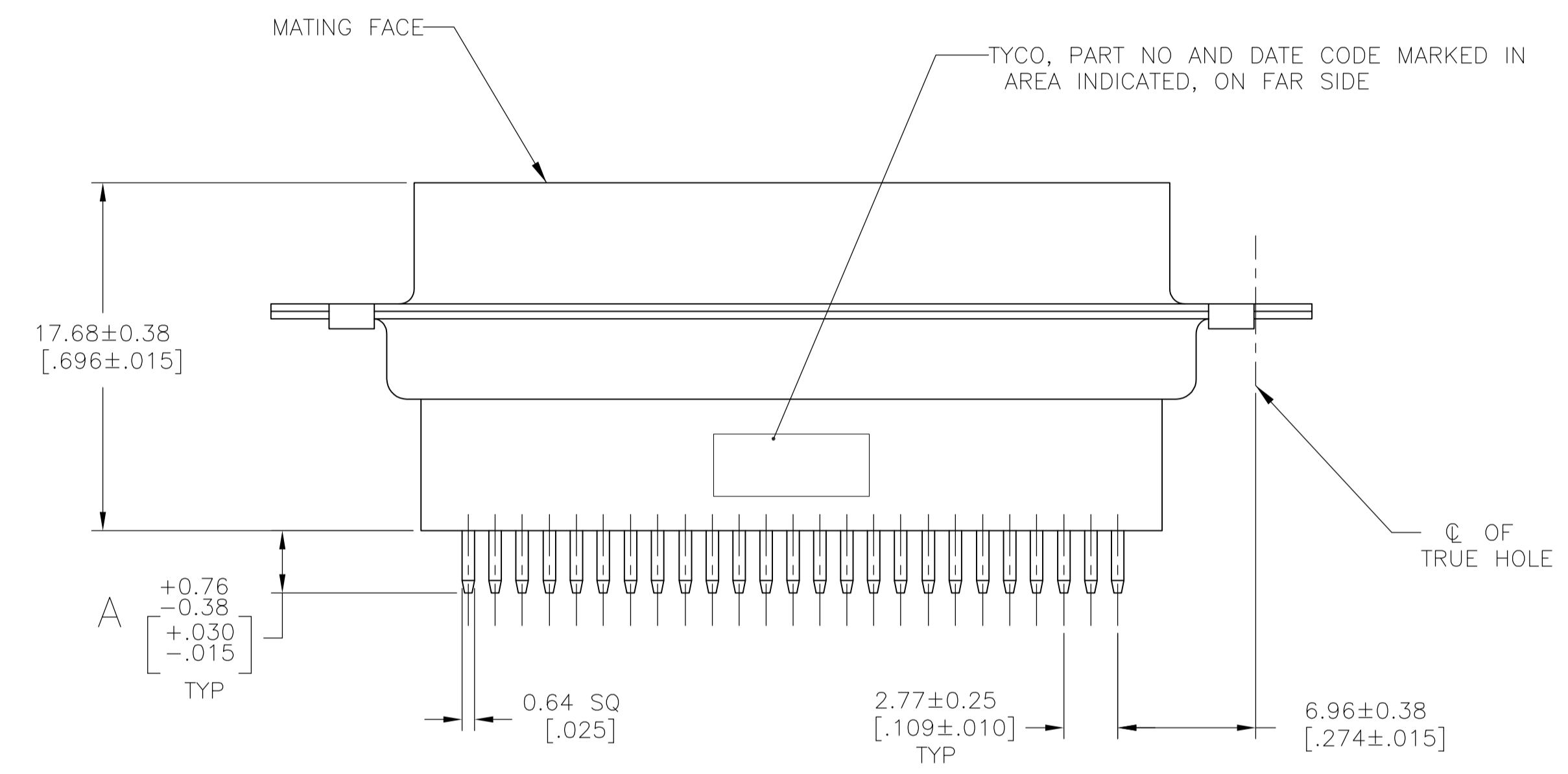
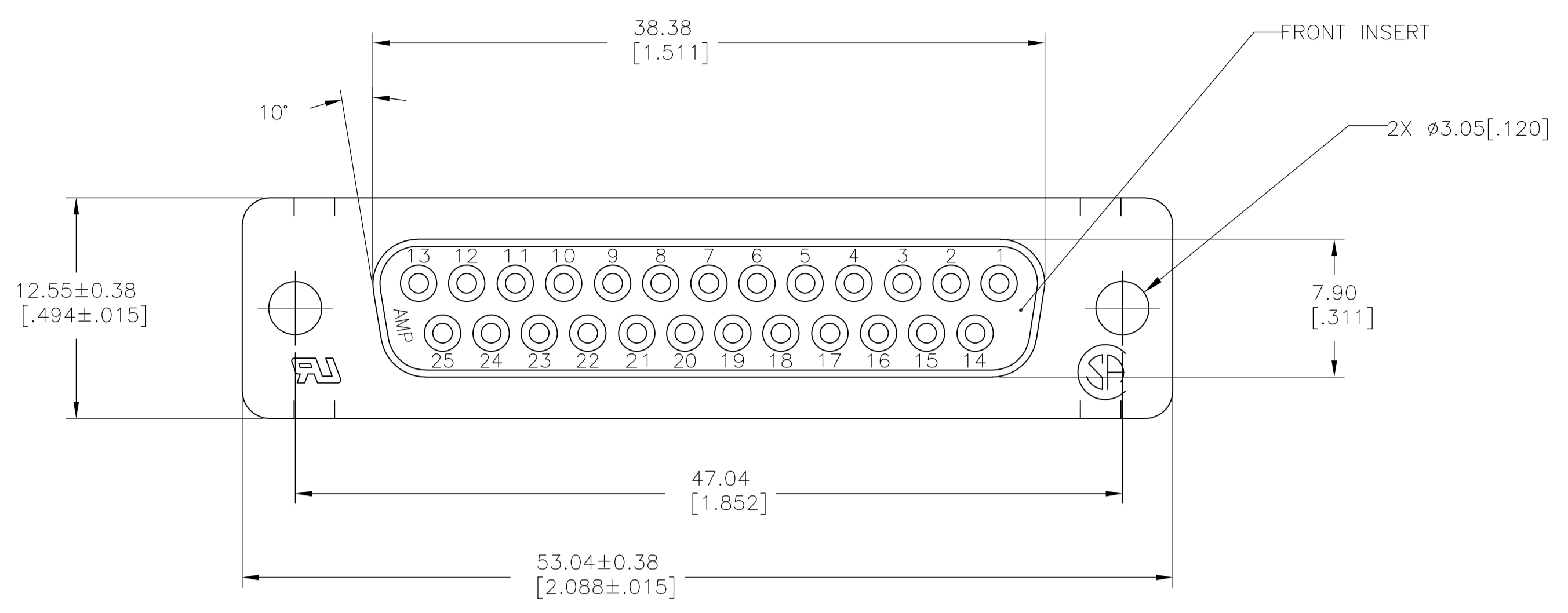


LOC		DIST		REVISIONS			
GP	00	REV	DATE	BY	APPV	DATE	BY
D	REVISED PER ECO-14-011808		11AUG2014	AP	SB		



RECOMMENDED PC BOARD MOUNTING DIMENSIONS

- 1 MOLDED PARTS: GLASS-FILLED PBT OR GLASS-FILLED NYLON, UL94V-0 RATED. COLOR: BLACK. CONTACTS: PHOSPHOR BRONZE. SHELLS: CARBON STEEL.
- 2 SHELLS: 5.08µm [.000200] MIN ZINC WITH YELLOW CHROMATE COATING. CONTACTS: GOLD PLATED FOR LENGTH OF 3.81 [.150] MIN FROM MATING END, 0.76µm [.000030] MIN GOLD IN MATED AREA, 2.54µm [.000100] MIN TIN ON SOLDER END, BOTH OVER 1.27µm [.000050] MIN NICKEL. OR GOLD FLASH OVER PALLADIUM-NICKEL PLATED FOR LENGTH OF 3.81 [.150] MIN FROM MATING END, 0.76µm [.000030] MIN TOTAL IN MATED AREA, 2.54µm [.000100] MIN TIN ON SOLDER END, BOTH OVER 1.27µm [.000050] MIN NICKEL.

4.78 [.188]	5205738-7
10.85 [.427]	5205738-3
3.18 [.125]	5205738-1
A	PART NO

DIMENSIONS:		TOLERANCES UNLESS OTHERWISE SPECIFIED:		MATERIAL		FINISH		WEIGHT		CUSTOMER DRAWING	
mm	[INCHES]	0 PLC	± -	1	± -	1	± -	1	± -	1	± -
		1 PLC	± -	2	± 0.13 [.005]	2	± -	2	± -	2	± -
		2 PLC	± -	3	± -	3	± -	3	± -	3	± -
		3 PLC	± -	4	± -	4	± -	4	± -	4	± -
		4 PLC	± -	ANGLES	± -						